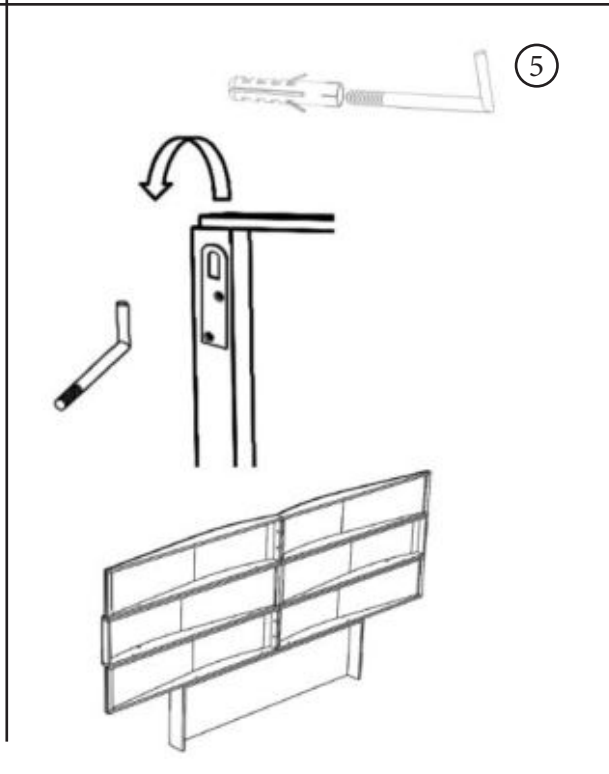
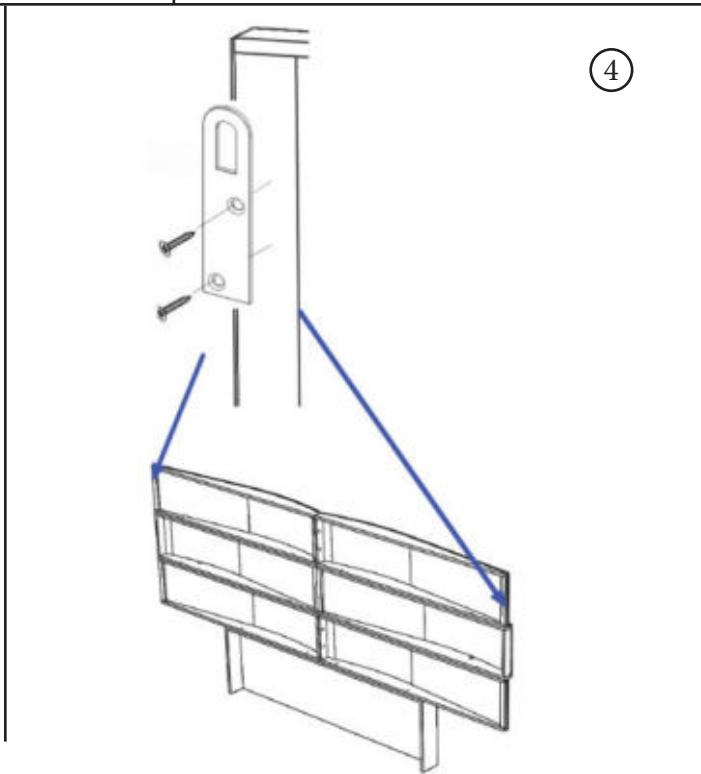
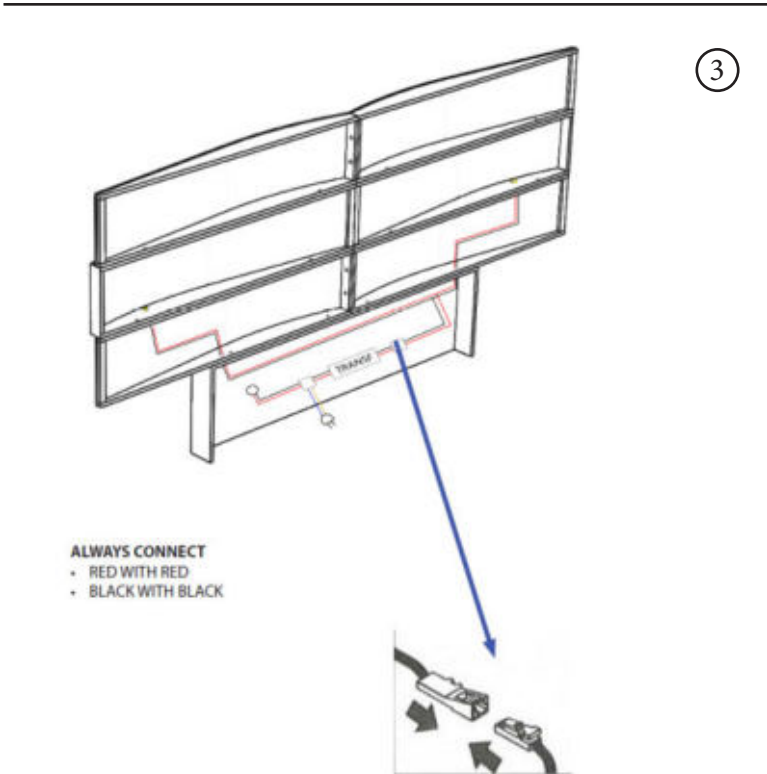
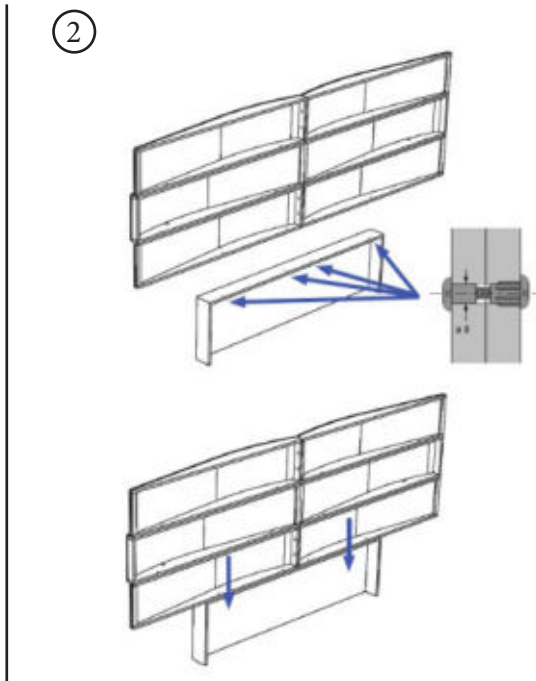
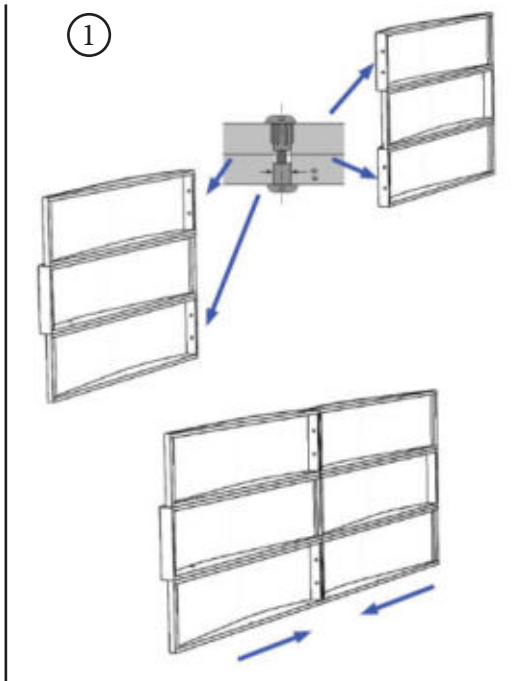
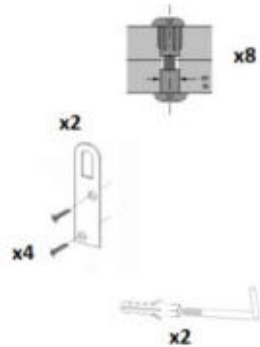
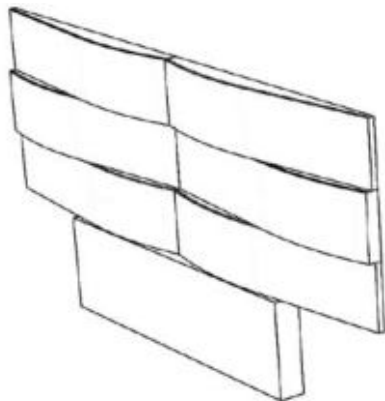
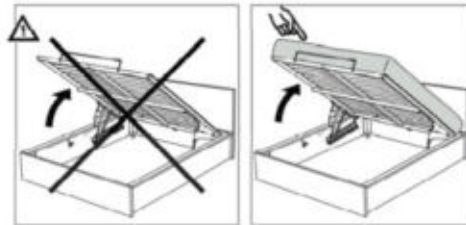
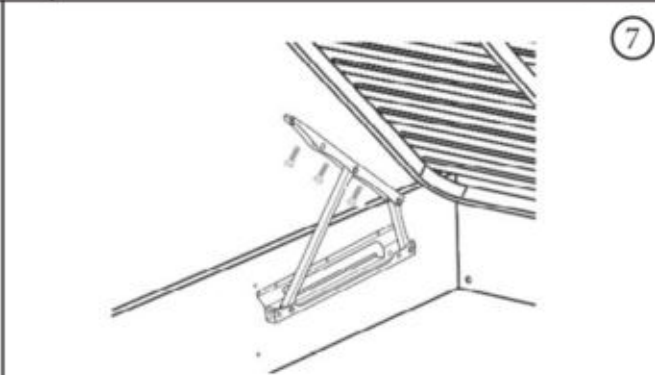
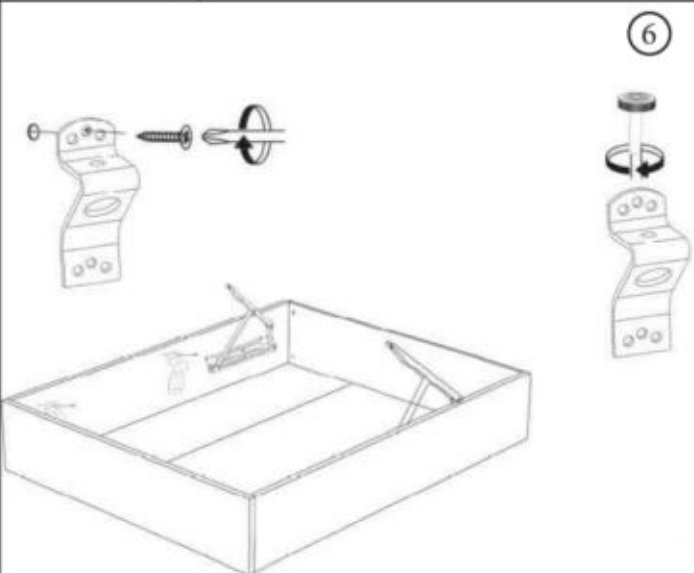
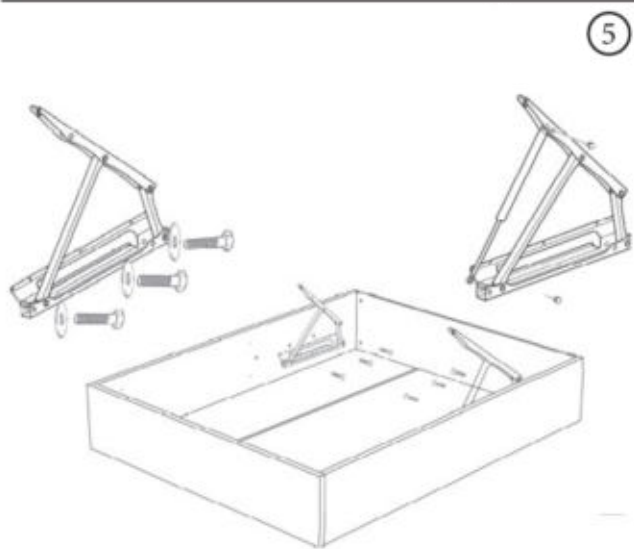
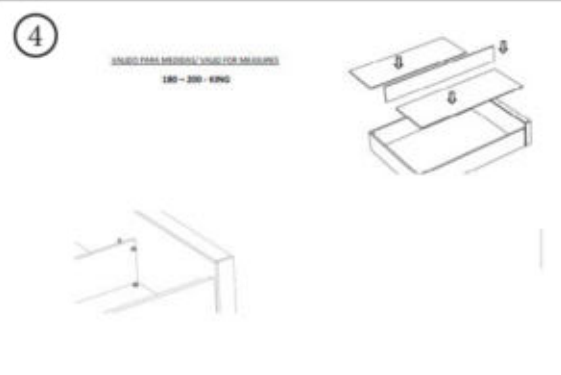
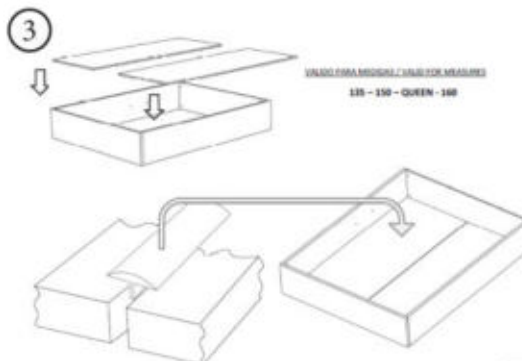
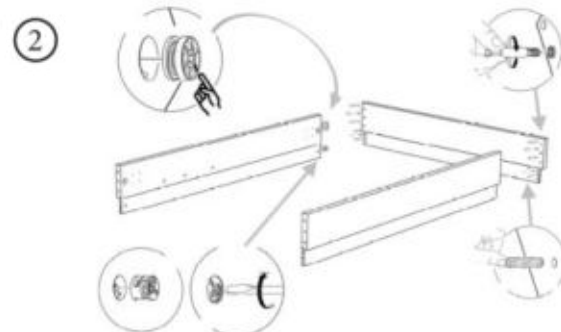
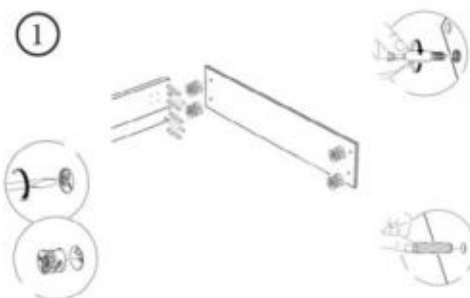
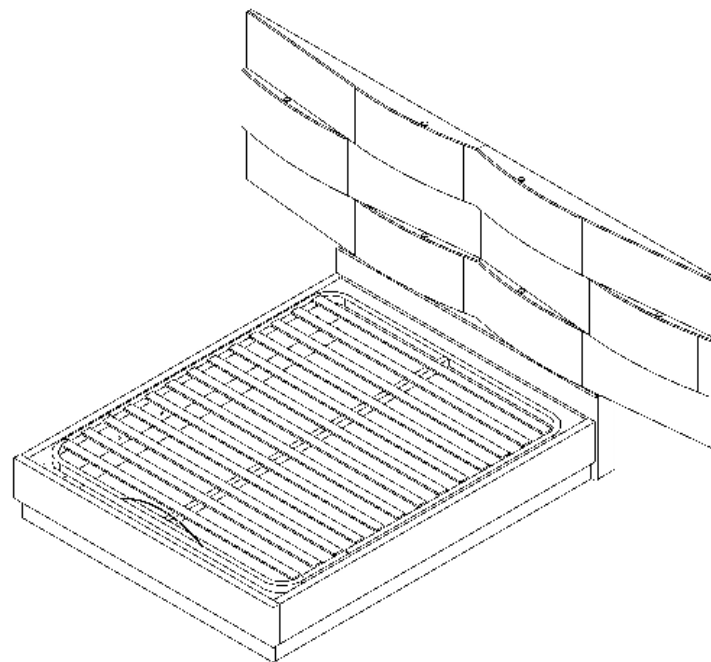
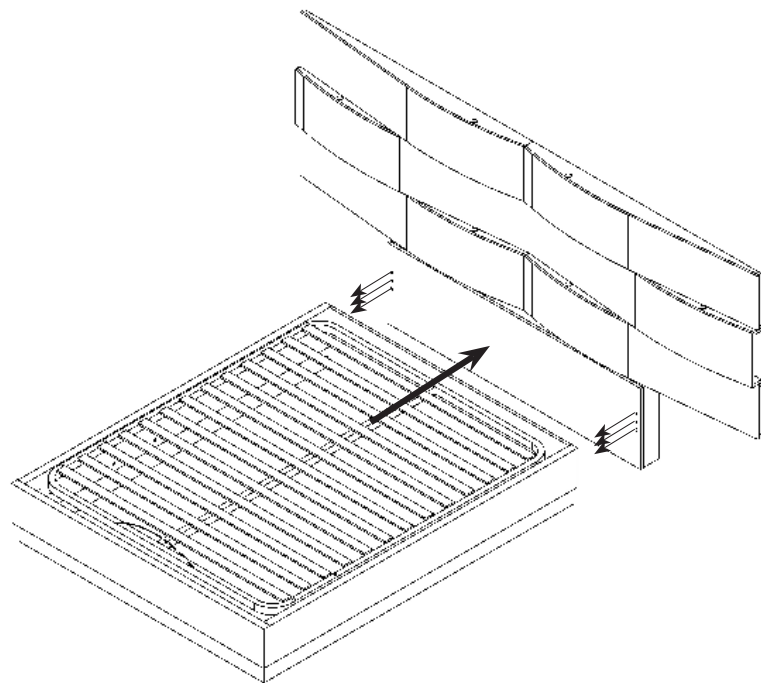


CABEZAL 601
601 HEADBOARD



BAÑERA con zócalo elevable
STORAGE BED frame with socle

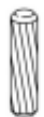




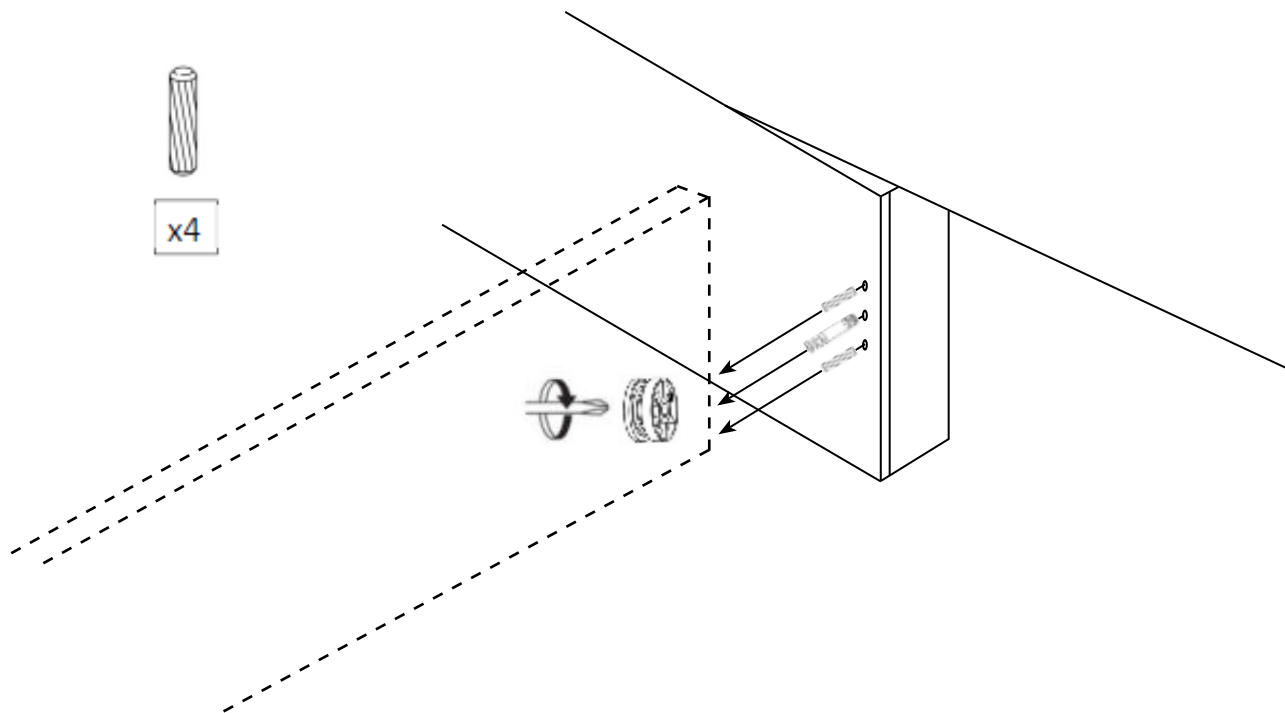
x2

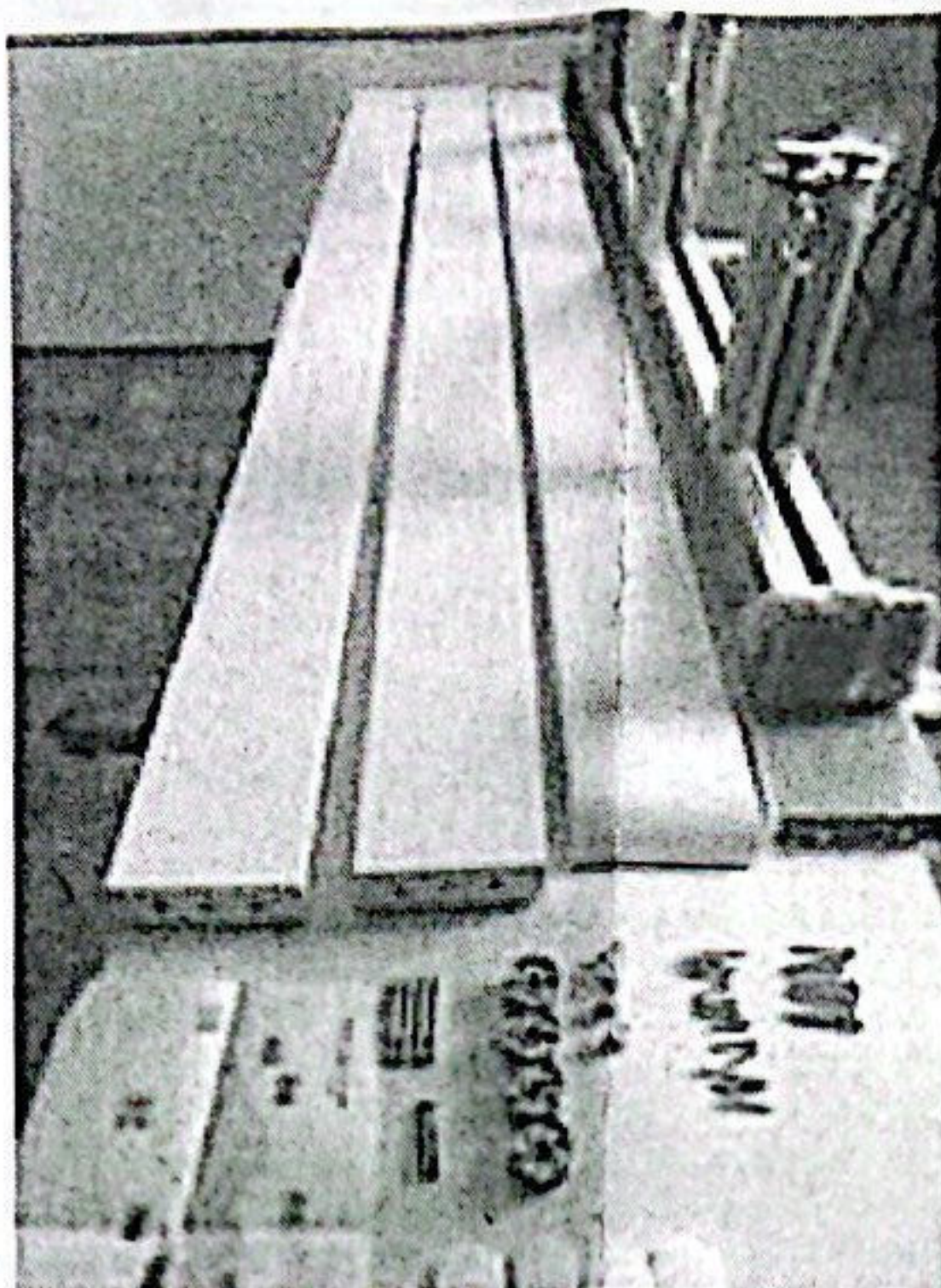
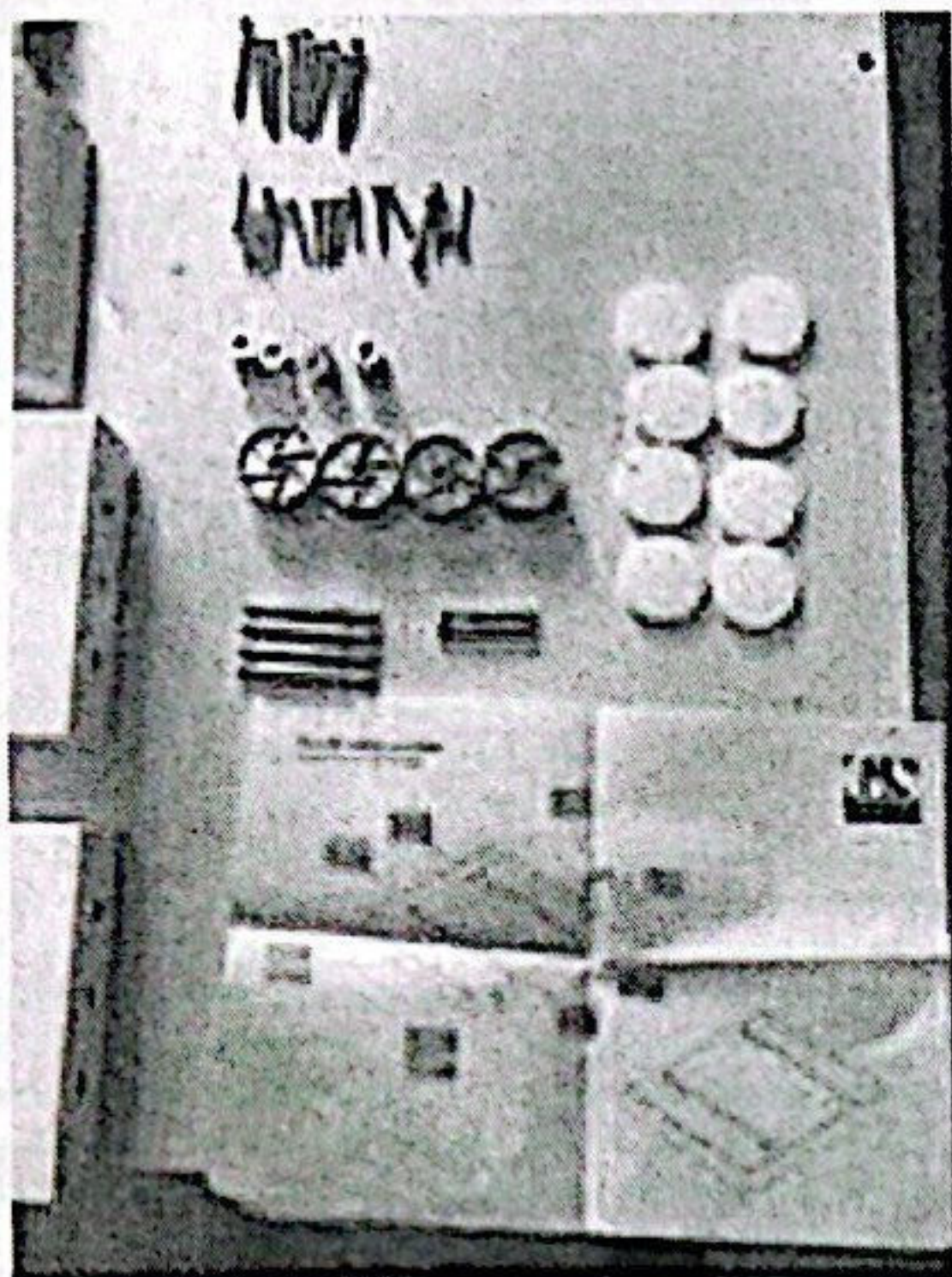


x2

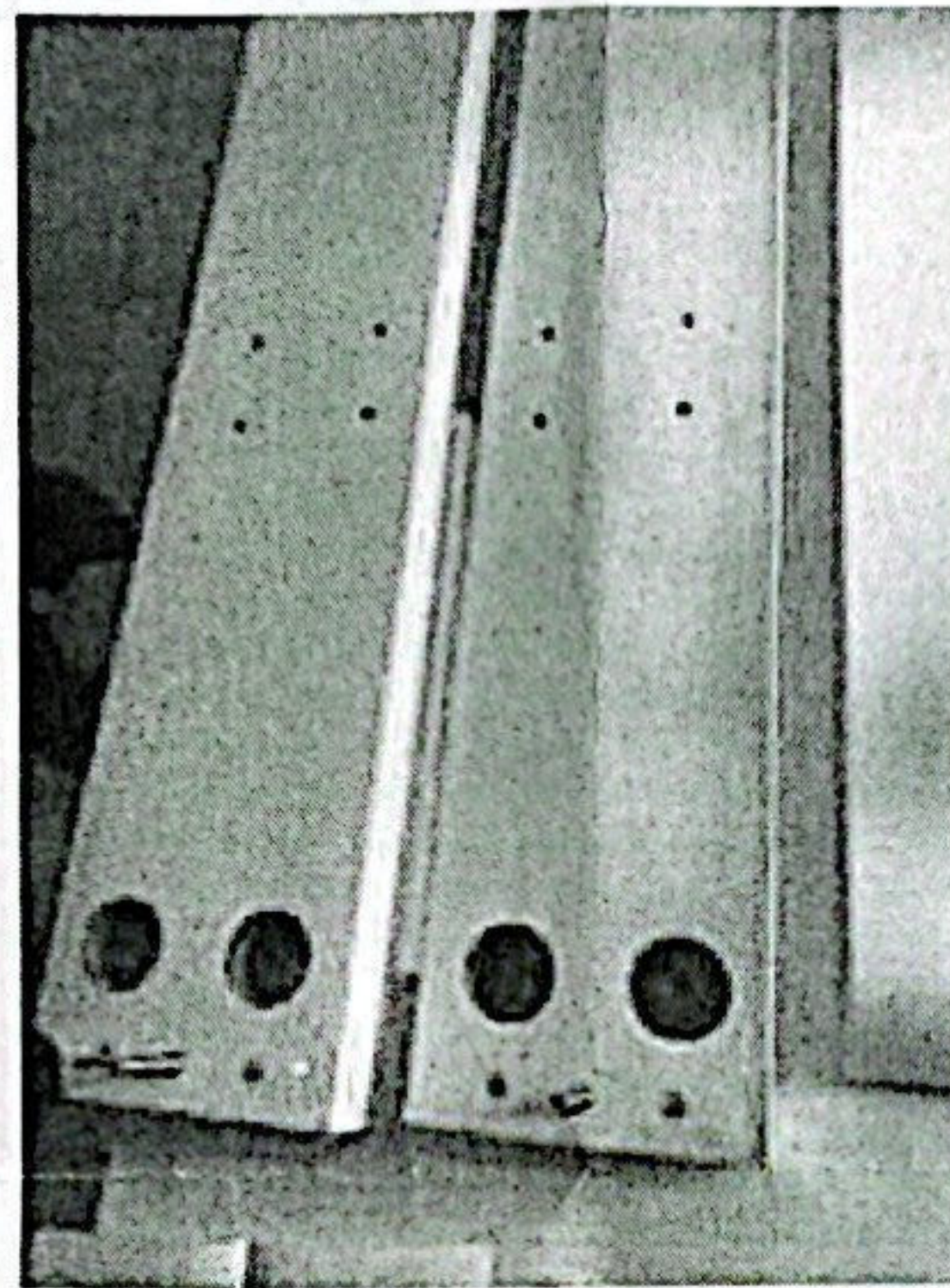
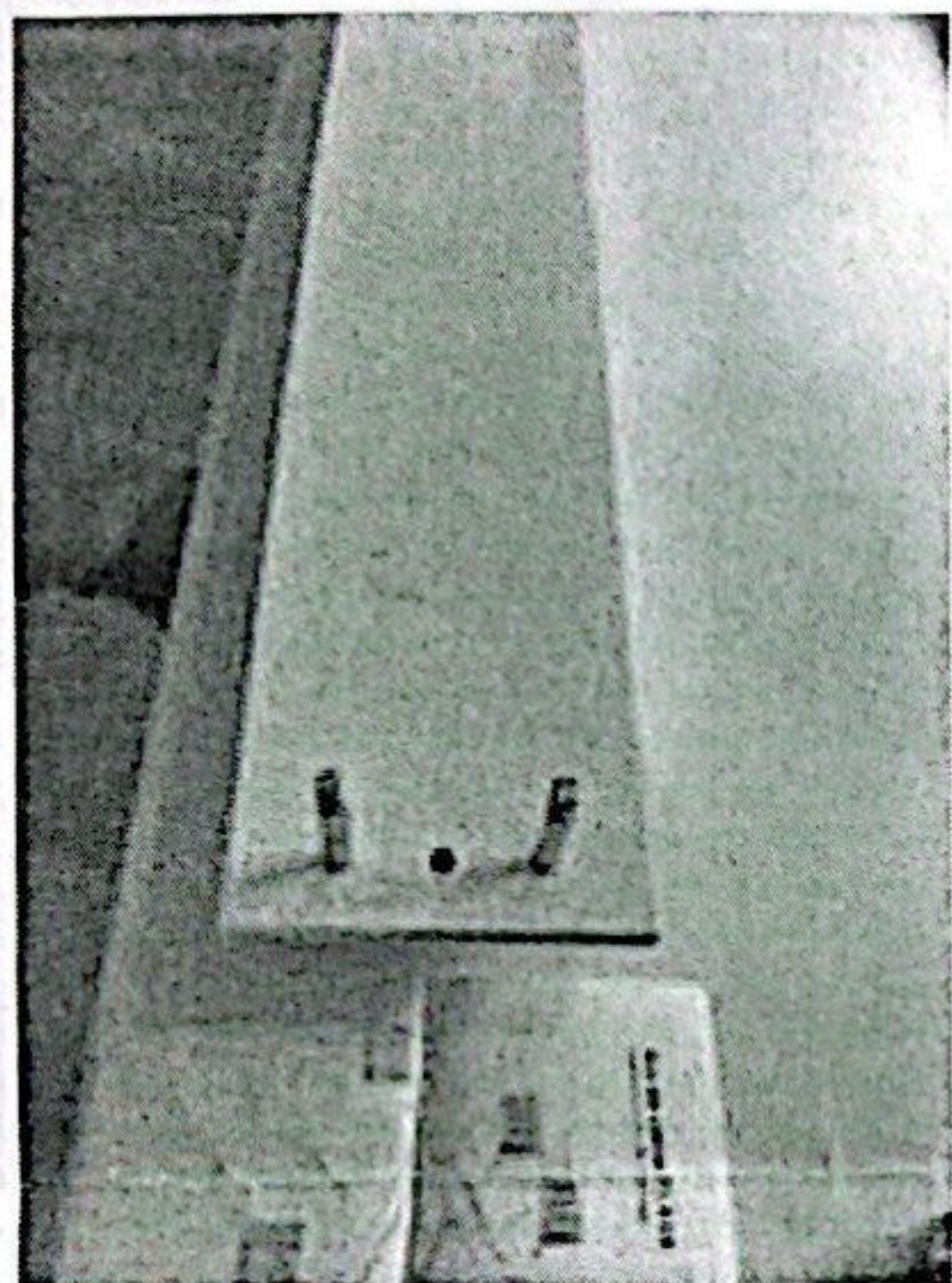


x4

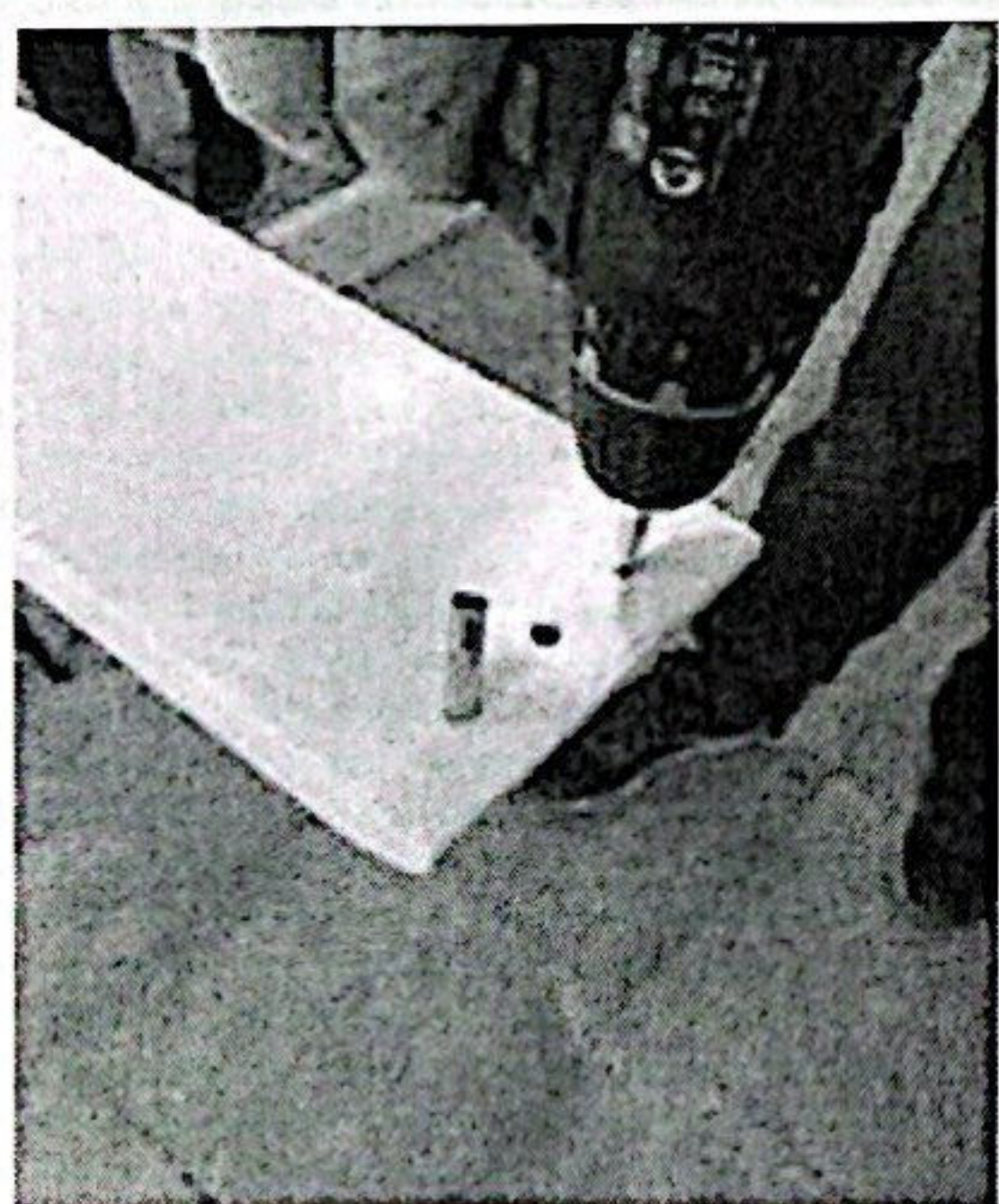




CONTENTS OF THE BEDFRAME BOX

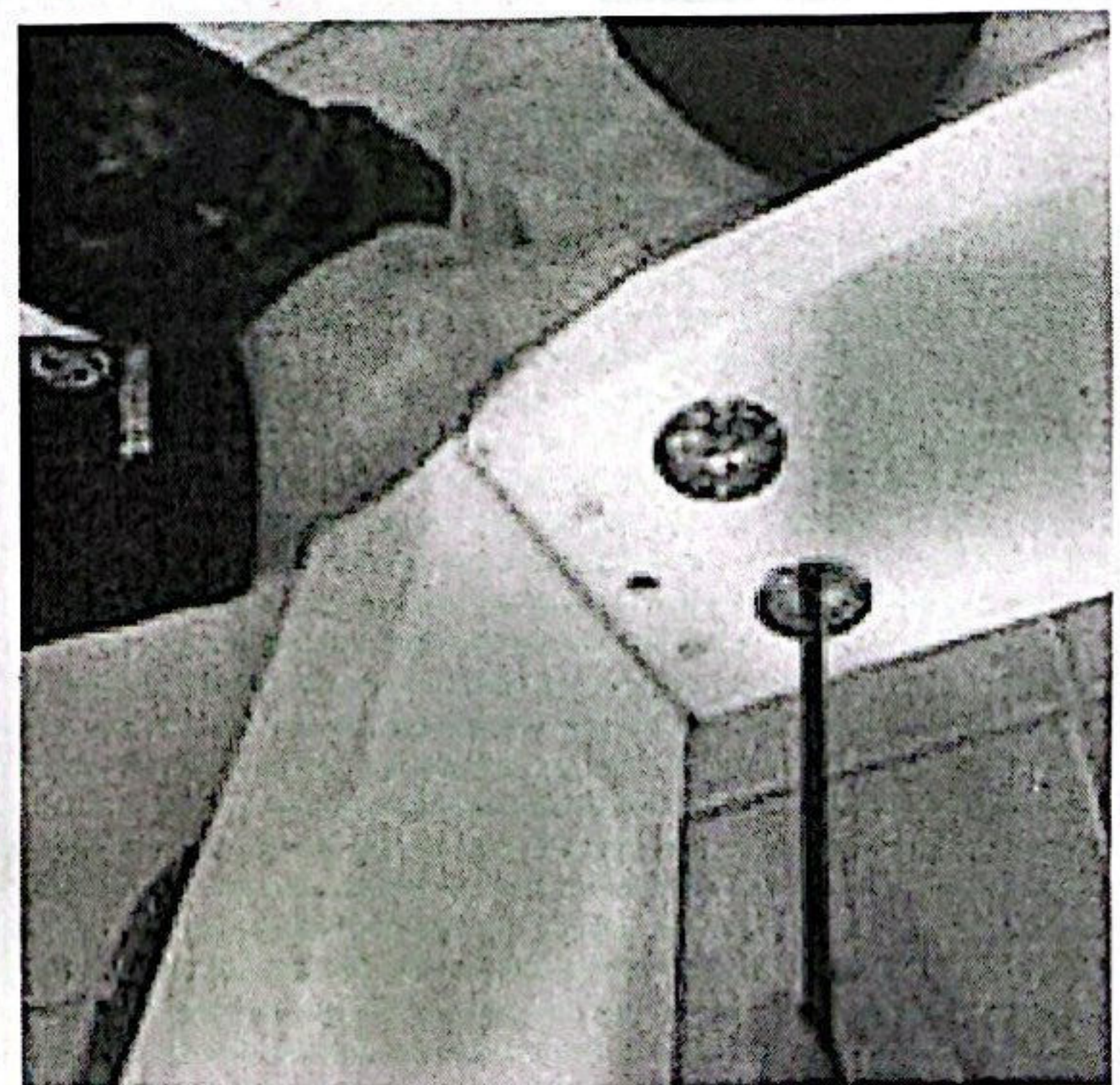
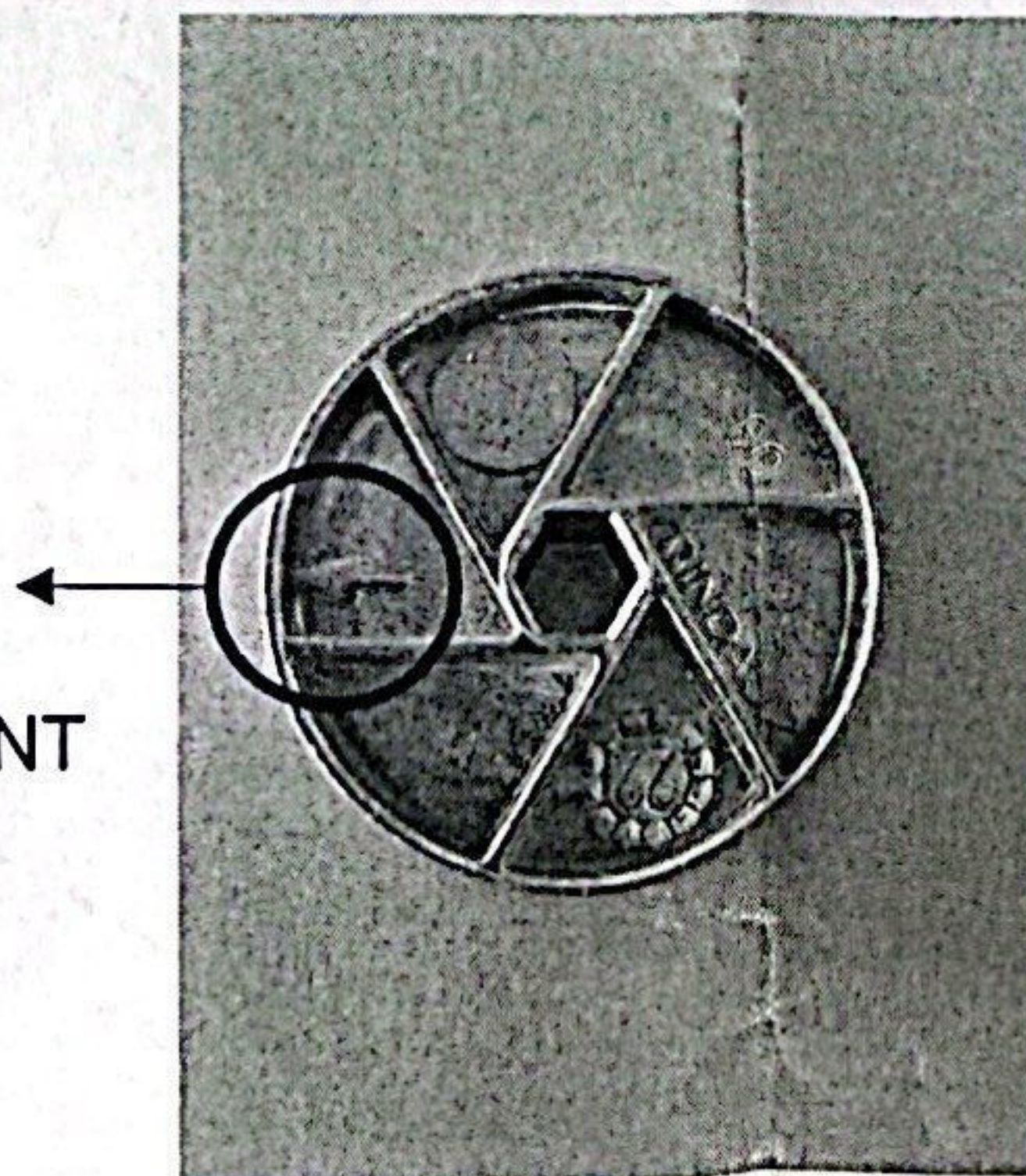


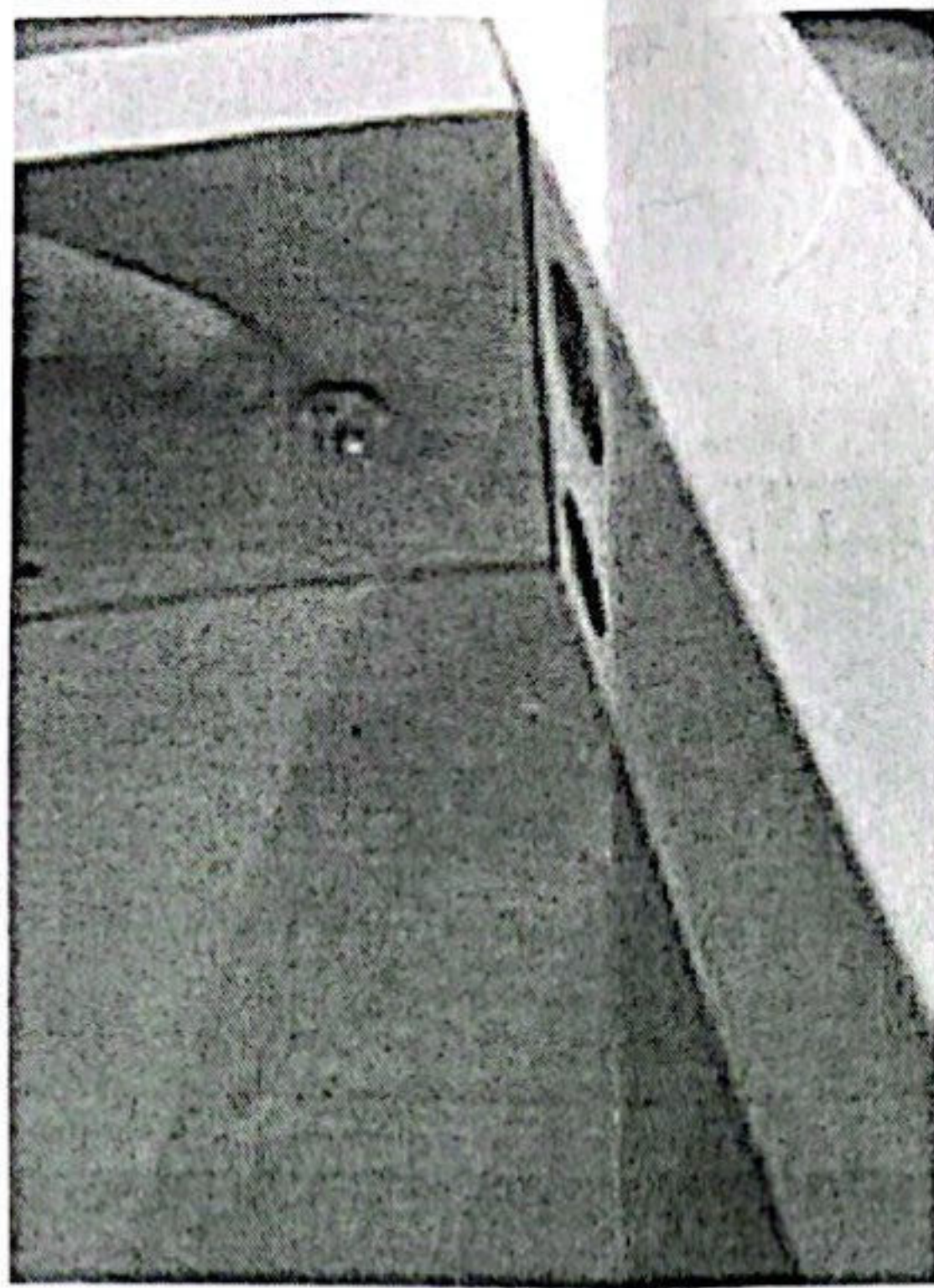
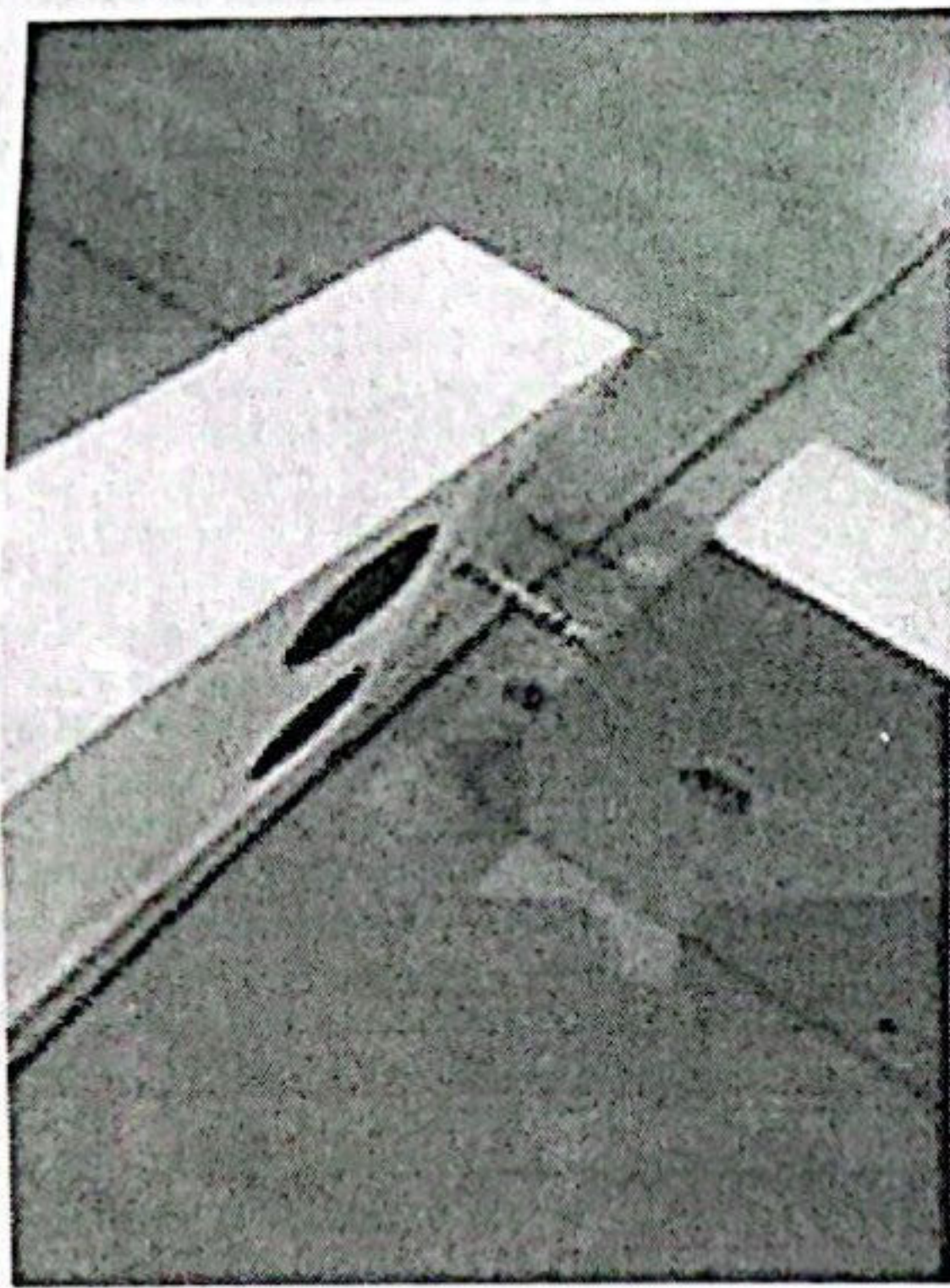
PLACE THE FITTINGS IN THE FOOT BOARD AND BOTH SIDERAILS



VERY IMPORTANT!!!!

PLACE THE FITTING WITH THE ARROW POINTING THE FOOTBOARD THAT HAS TO BE JOINT

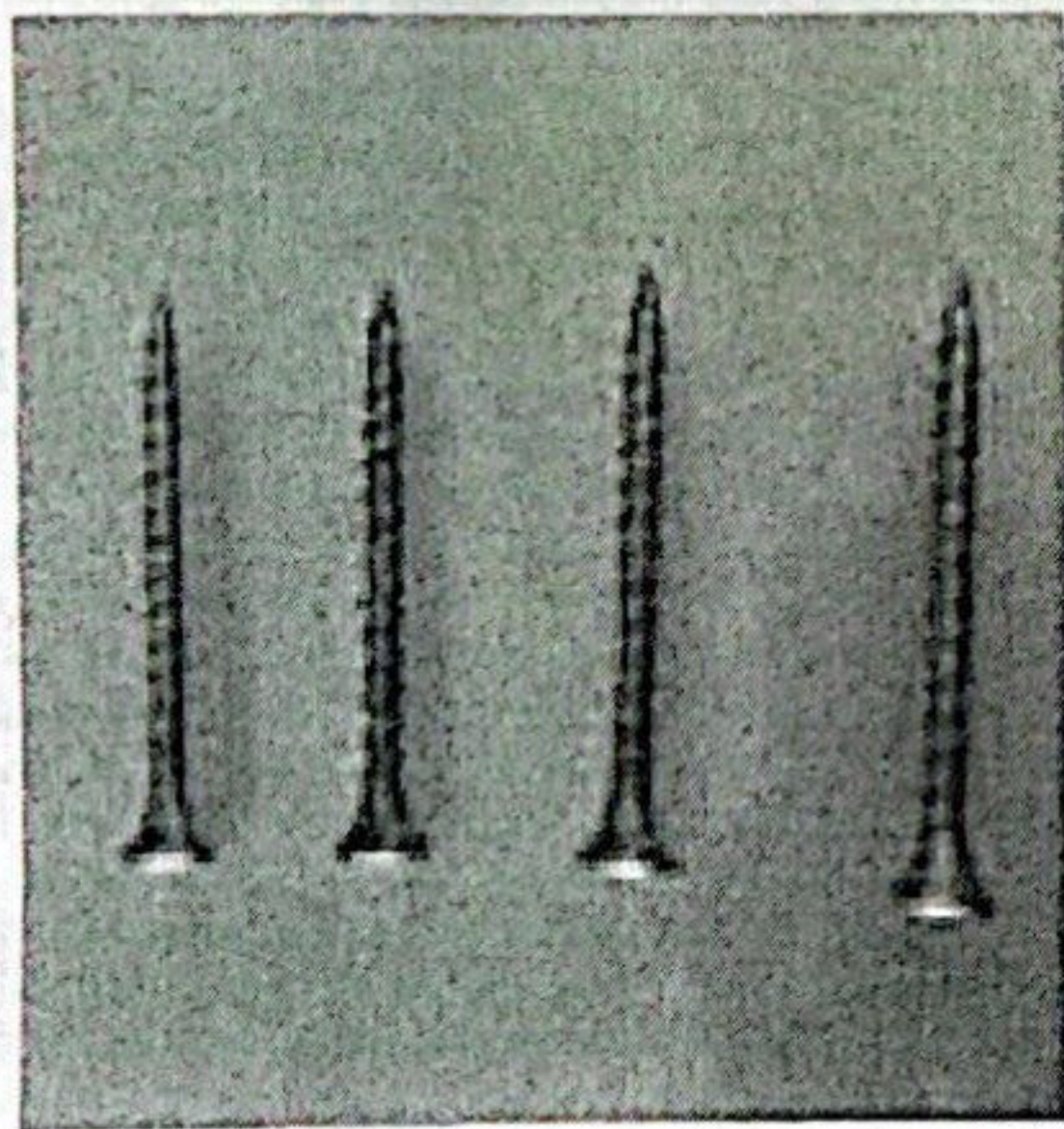




UNION BETWEEN SIDERAILS
WITH INTERIOR FOOTBOARD



ASSEMBLY METALLIC CROSSBARS
WITH SIDERAILS



FINALLY SCREW THROUGH
INTERIOR FOOTBOARD THE
BEDFRAME TO THE
HEADBOARD

